

DIFFERENTIAL PRESSURE GAUGE WITH ELECTRIC CONTACT FOR SWIMMING POOL FILTER

Introduction:

The differential pressure gauge with electric contact for swimming pool filter is used to check the status of pool filter measuring the pressure at the entrance and the exit of the filter.

When the filter is dirty, there is a pressure difference between the entrance and the exit of the filter and the differential pressure gauge will read this pressure.

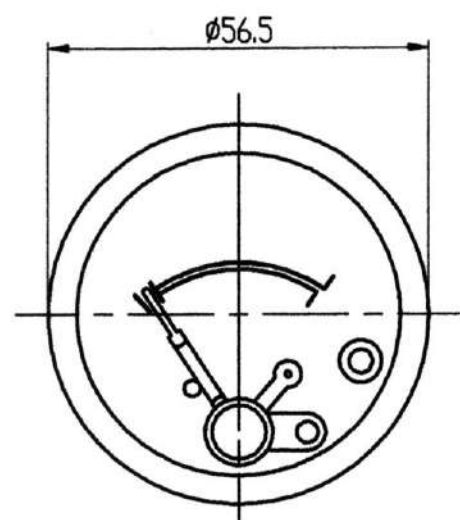
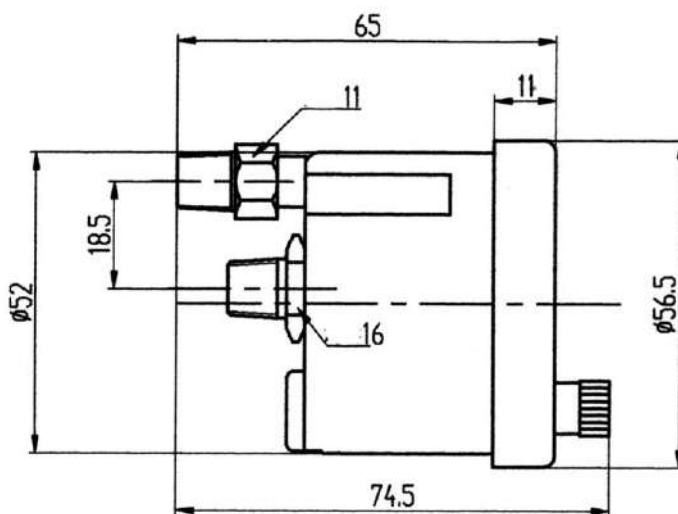
With the electric contact, when the pressure gauge reads a given differential pressure, it will send an electrical signal.



Features:

- Back connection.
- Plastic case brass internals.
- Measurement element beryllium cooper.
- Accuracy 2,5%.
- Range: 0-1 bar.
- Connection: NPT 1/8".
- Crest voltage 24V, peak current 5A.

Dimensions:



This publication is not intended to lay the foundations of a contract and the company reserves the right to alter without notice the design and specifications of instruments, in accordance with its policy of continuous development

MEI Manometría e Instrumentación, s.l.

Pol. Ind. "Gelidense" 3, nave 19 E-08790 Gelida Barcelona

Tf. +34 937 083 110 Fax. +34 937 083 109

www.mei.es e-mail: info@mei.es