

ALL STAINLESS STEEL CO2 PRESSURE GAUGE DN 100 & 150

Page 1



ALL STAINLESS STEEL CO2 PRESSURE GAUGE DN 100 & 150

Instruments with double scale bar/temperature CO2, adapted to resist the most adverse work conditions derivatives of the aggressiveness of the process fluid and of the ambient environment, whenever the fluid neither presents a high stickiness nor crystallizes.

The quality of the materials used for the sensitive element, withstand his installation in the presence of pressures pulsating and high dynamics.

An Argon arc TIG welding strengthens the whole construction and a leak tight fit is ensured.

The filled liquid reduces the oscillations of the pointer, reduces the wear of the parts in movement, avoids the entry of corrosive gases and the formation of condensation inside the manometer, being therefore a suitable solution to use in facilities with presence of vibrations and improving the resistance to the pulsating pressures.



Constructive and functional characteristics:

Standard type

Accuracy: Type 1 according to EN 837-1. ($\pm 1,0\%$ E.S.)
Ambient temperature: -25...+65 ° C.
Process fluid temperature: -40... +150 °C.
Project temperature: max. + 400 °C.
Working pressure:
 Steady: Max 100% of E.S.
 Fluctuating: 90% of E.S.
Temporal overpressure: 30% of E.S.
Special overpressure: 50% of E.S for ≤ 400 bar (max 1 hour)
Protection degree: IP 67 as per IEC 529.
Process connection racord: In AISI 316.
Elastic element: In AISI 316 seamless tube.
Welding: AISI 316 TIG Argonarc.
Case: in AISI 304.
Bezel: bayonet AISI 304.
Windows: security glass.
Movement: Stainless steel with internal limit stops for minimum and maximum pressure (reinforced on DN 150).
Dial: Aluminium, white with black marking and an arrow symbol at the edges of the scale value.
Special dials: Ranges different from standard, or custom artwork, available on request.
Pointer: Aluminium, micrometric adjustable.
Gasket, blow out vent and filling plug: EPDM.

Filled liquid type

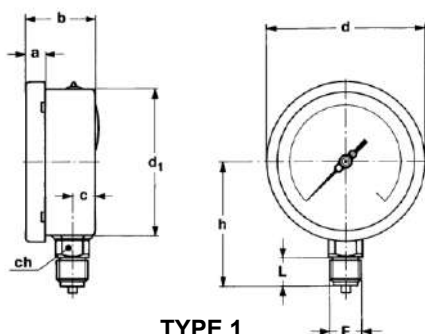
Ambient temperature: max. 65° C depending on filled liquid.
Process fluid temperature: Max. +65° C.
Protection degree: IP 67 as per IEC 529.
Filling liquid: Glycerine 98%.
Other features: As standard type.

This publication does not try to establish the bases of a contract and the company keeps the right to modify without previous notice the design and the specifications of the instruments, in accordance with his politics of continued development.

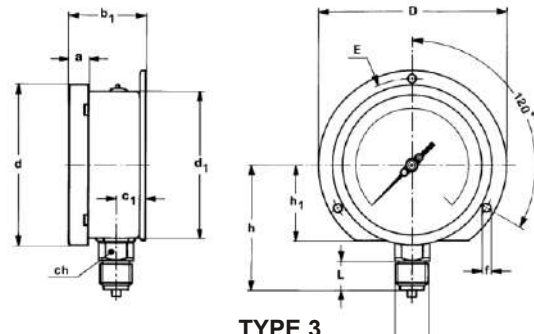


**ALL STAINLESS STEEL CO2
PRESSURE GAUGE DN 100 & 150**

TYPES AND DIMENSIONS



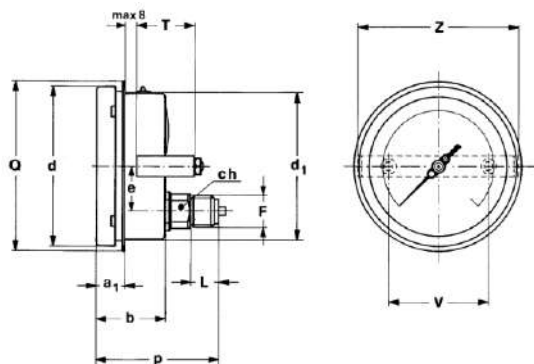
TYPE 1
Local direct assembly
Lower pressure entry



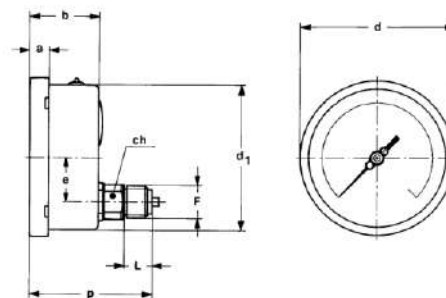
TYPE 3
Panel assembly
Lower pressure entry and clamp

Ø	TYPES	F	a	b	b ₁	c	c ₁	d	d ₁	f	h ₁	D	E	ch	h	L
100	1 & 3	½" Gas or NPT	0.67" (17)	1.91" (48,5)	1.99" (50,6)	0.67" (17)	0.75" (19,1)	3.95" (100)	3.87" (98,3)	0.24" (6)	2.05" (52)	5.12" (130)	4.65" (118)	0.87" (22)	3.27" (83)	0.77" (19,5)
150	1 & 3	½" Gas or NPT	0.69" (17,5)	1.95" (49,5)	1.97" (50)	0.67" (17)	0.67" (17,1)	6.34" (161)	5.91" (150)	0.24" (6)	3.35" (85)	7.48" (190)	6.89" (175)	0.87" (22)	4.45" (113)	0.77" (19,5)

Dimensions in inches (mm)



TYPE 6
Panel assembly
With clamp and back pressure entry.



Local direct assembly
With back pressure entry.

DN	TYPES	F	a	a ₁	a ₂	b	d	d ₂	e	f	D	E	Q	T	V	Z	ch
100	2, 4 & 6	½" Gas or NPT	0.69" (17,5)	0.79" (20)	0.79" (20)	1.95" (49,6)	3.98" (101)	3.90" (99)	1.18" (30)	0.24" (6)	5.20" (132)	4.65" (118)	4.41" (112)	1.63" (41,5)	2.76" (70)	4.41" (112)	0.87" (22)
150	2, 4 & 6	½" Gas or NPT	0.69" (17,5)	0.81" (20,5)	1.00" (25,5)	1.95" (49,5)	6.34" (161)	5.91" (150)	1.97" (50)	0.24" (6)	7.48" (190)	6.89" (175)	6.46" (164)	1.63" (41,5)	4.17" (106)	6.10" (155)	0.87" (22)

Dimensions in inches (mm)

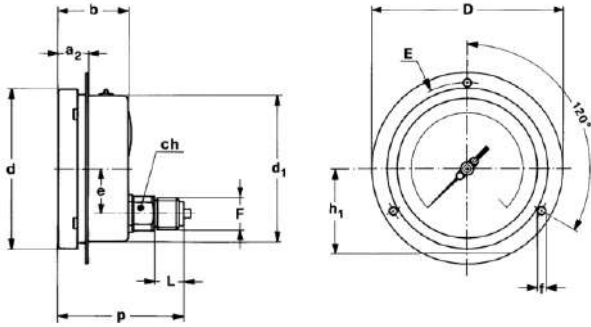
This publication does not try to establish the bases of a contract and the company keeps the right to modify without previous notice the design and the specifications of the instruments, in accordance with his politics of continued development.

**ALL STAINLESS STEEL CO2
PRESSURE GAUGE DN 100 & 150**

TYPE 4

Panel assembly

With frontal flange and back pressure entry.



Liquid	Ambient temperature
Glycerine 98%	+15..+ 65°C
Silicone	- 45..+ 65°C

This publication does not try to establish the bases of a contract and the company keeps the right to modify without previous notice the design and the specifications of the instruments, in accordance with his politics of continued development.