

SLIDING NUT

OBJECT

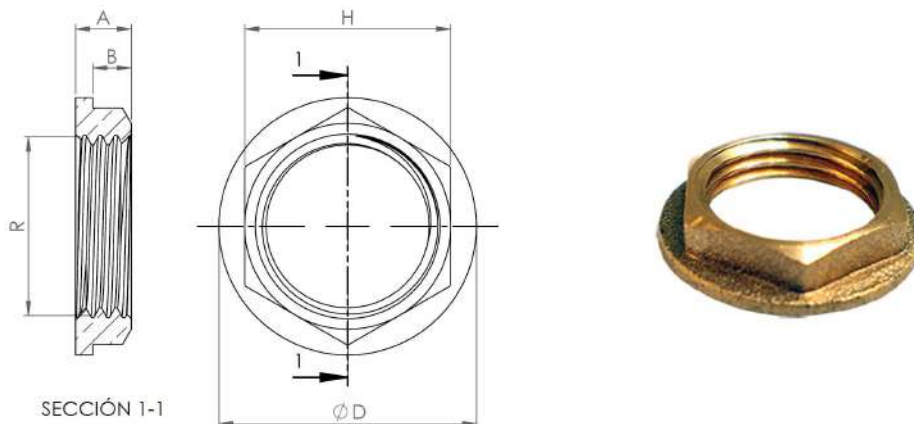
This nut is designed for the correct attachment of the necessary installation elements to tanks or reservoirs, such as float valves, tank fittings, tees, couplings, elbows, etc.

APPLICATIONS

The most common applications are plumbing in general, heating, solar energy, thermal installations, cold installations, diesel, and gasoline networks in general.

MATERIALS

The material used for the production of this nut is brass according to EN-121 64, EN-121 65 or EN-1982



CÓDIGO	R ROSCA	A	B	H	ØD
5500700101	3/8"	6,0	4,5	20,0	26,0
5500700202	1/2"	6,5	4,5	24,0	33,0
5500700303	3/4"	7,0	5,0	30,0	37,0
5500700404	1"	7,5	5,0	36,0	43,0
5500700505	1*1/4	8,0	5,5	45,5	56,0
5500700606	1*1/2	9,0	6,0	52,0	62,0
5500700707	2"	10,0	7,0	63,5	76,0
5500700808	2*1/2	10,5	7,0	83,0	98,5
5500700909	3"	11,5	7,5	97,0	115,0

NOTA: Todas las medidas están expresadas en milímetros

ASSEMBLY INSTRUCTIONS

It is recommended to sweep the entire installation before connecting any device.

The fluids must be free of lime and solid particles. Make sure that the medium or fluid is compatible with the materials, characteristics of this piece.

Make sure that there is no type of leak in all the piping connections. Check that the piping is free from vibrations and stresses, such as compression, traction, torsion, bending, shear or buckling. Avoid galvanic pairs.

Choose the optimal size of this article, according to the dimensioning of the installation pipe and its flow.

It is recommended to make periodic checks to make sure that this part works normally and does not present cracks, leaks, or malfunctions.