

SERVICE-RESERVE INDICATING PRESSURE GAUGE

SERVICE AND RESERVE INDICATING PRESSURE GAUGE

Used with liquid or gaseous fluids that do not chemically attack the copper alloys, do not have a high viscosity, and do not crystallize.

The preferential application is in pneumatic and hydraulic circuits, compressors, filters, and pressure regulators. They comply with EC Standards.

Constructive and functional characteristics

Accuracy: 1,6% according to EN 837-1.

Ranges: 0..6bar and 0...1,6bar para DN 50 for other diameters, ranges any other equivalent pressure or vacuum unit, please consult.

Room temperature: -20...+60°C.

Process fluid temperature; max +60° C.

Temperature error:

Additional error when the temperature of the sensitive element deviates from 20°C. +/- 0.3% every 10 °C of variation.

Working pressure:

Max 75% del V.F.E.

Temporary overpressure: Not applicable.

Connection to process: In brass.

Tubular spring:

Phosphorous bronze in "C" for scales ≥ 40 bar in spiral for scales > 40 bar.

Case: In ABS plastic.

Window: in transparent plastic

Movement: in brass

Pointer: In black lacquered aluminum.

Other options:

Solder in tin-silver alloy.

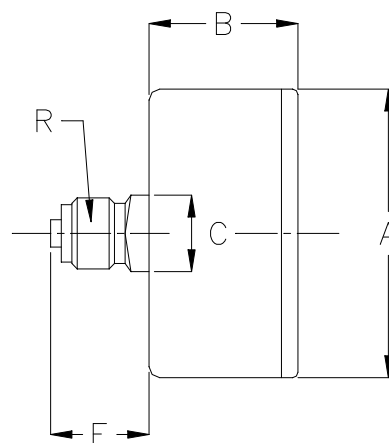
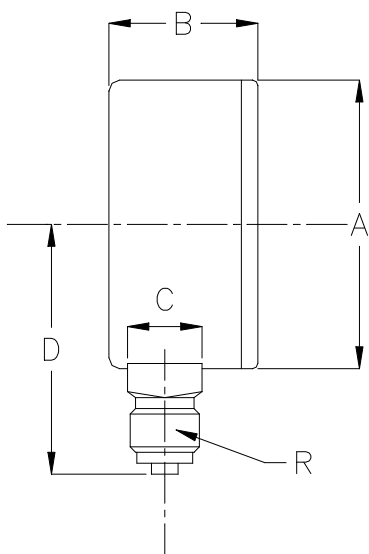
Other pressure ranges.



This publication is not intended to lay the foundations of a contract and the company reserves the right to modify the design and specifications of the instruments without prior notice, in accordance with its policy of continuous development.

**SERVICE-RESERVE INDICATING
PRESSURE GAUGE**

DIMENSIONS



RADIAL TYPE					
DN	A	B	C	D	R
40	42	25	11x11	27,5	1/8"
50	53	28	14x14	48	1/4"
63	63,5	28	14x14	51	1/4"

**DIMENSIONS
(mm)**

AXIAL TYPE					
DN	A	B	C	E	R
40	42	25	11x11	14	1/8"
50	53	28	14x14	19	1/4"
63	63,5	28	14x14	19	1/4"

This publication is not intended to lay the foundations of a contract and the company reserves the right to modify the design and specifications of the instruments without prior notice, in accordance with its policy of continuous development.