

PRESSURE GAUGES FILLED WITH LIQUID SHOCK ABSORBER DN 100 CL. 1.6%

Pressure gauges made for use in pumps, agricultural sector with pulsating pressures and mechanical vibrations. They can be used with liquid or gaseous fluids that do not attack the copper alloy, that do not have a high viscosity and that do not crystallize. According with standard EN-837-1 and CE regulations.

Accuracy:

Cl. 1,6 ($\pm 1,6\%$ VFE s/ EN 837-1PT. 6)

Standard ranges :

0/60 bar

Working pressure:

Static: 75% of the full-scale value.

Dynamics: 66% of the full-scale value.

Short interval: Full scale.

Max. Temperature:

Ambient: -20..+60°C

Fluid: -20..+60°C

Storage: -40..+70°C

Temperature effect: $\pm 0,04 \times (t_2 - t_1) \% \text{ VFE.}$

Process connection: $\frac{1}{2}$ " GAS ó $\frac{1}{4}$ " GAS in Cu alloy.

Elemento f measurement in Cu alloy:

C form

Mechanism: Cu alloy

Cover: White aluminum black figures and needle stop, green zone from 0 to 20 bar, yellow from 20 to 40 bar and red from 40 to 60 bar.

Pointer: Black aluminium

Case and bezel: Stainless steel

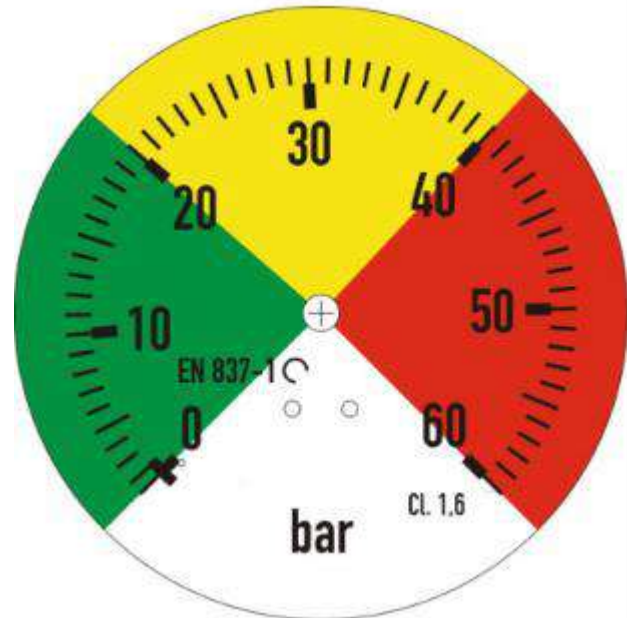
Window: Polycarbonate.

Admissible overpressure:

Max. 75 bar .

Explosion pressure:

180 bar



This publication is not intended to lay the foundations of a contract and the company reserves the right to modify the design and specifications of the instruments without prior notice, in accordance with its policy of continuous development.

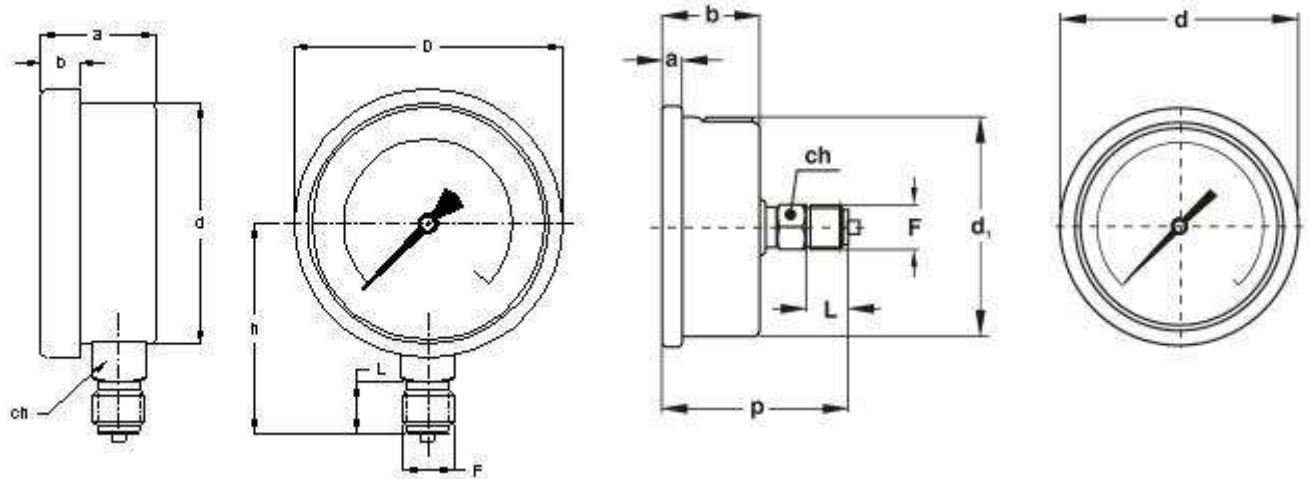
MEI Manometría e Instrumentación, s.l.

Pol. Ind. "Gelidense" 3, nave 19 E-08790 Gelida Barcelona

Tf. +34 937 083 110 Fax. +34 937 083 109 www.mei.es e-mail: info@mei.es



DIMENSIONS
(mm)



TYPE 1

Local assembly

Radial pressure entry

DN	TIPO	a	b	ch	d	D	F	h/p	L
100	1	36	8,5	22x6	98,5	108,7	½" BSP	82	20
100	2	36	8.5	22x6	98.5	108.7	½" BSP	78	20

This publication is not intended to lay the foundations of a contract and the company reserves the right to modify the design and specifications of the instruments without prior notice, in accordance with its policy of continuous development.

MEI Manometría e Instrumentación, s.l.

Pol. Ind. "Gelidense" 3, nave 19 E-08790 Gelida Barcelona

Tf. +34 937 083 110 Fax. +34 937 083 109 www.mei.es e-mail: info@mei.es